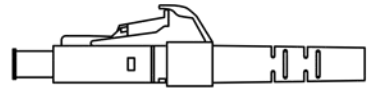
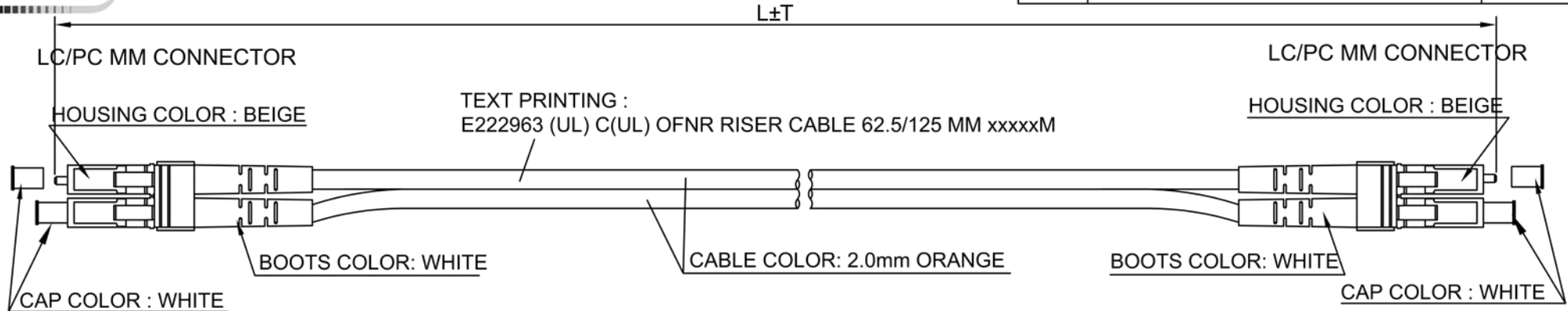




REV.	REVISION	DATE



(YOKE FACE UP)



(YOKE FACE UP)

- NOTE:
1. INSERTION LOSS < 0.3dB.
 2. OPERATION TEMP: -25°C TO +80°C, 5 CYCLES.
 3. DURABILITY: 500 CYCLES.
 4. VIBRATION: 10 TO 55 Hz 1.5mm DOUBLE AMPLITUDE.
 5. TENSILE STRENGTH: 10Kg.
 6. PACKING:

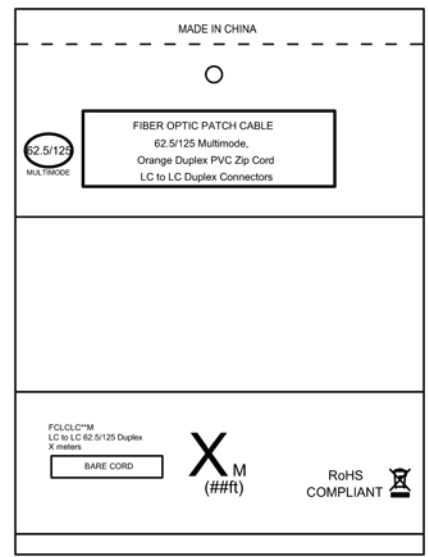
Fiber Optic Test Report Multimode Patch Cable			
Insertion Loss <-0.3		Printed	Non Printed
		A	PASS
	B	PASS	PASS

TEST REPORT

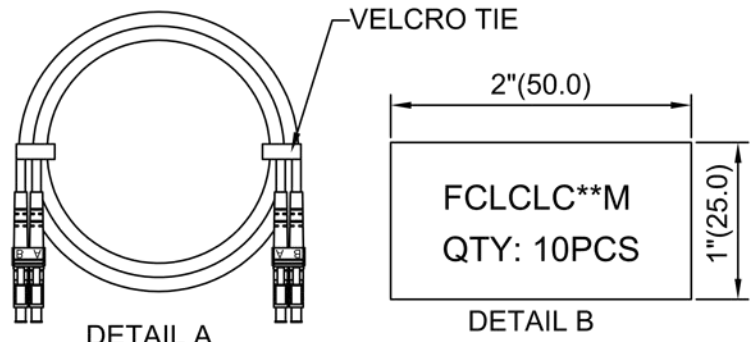
CHART

FCLCLC30M	30	30	98.4	98.4'(30000)	±4"(±100)
FCLCLC20M	20	20	65.6	65.6'(20000)	±4"(±100)
FCLCLC15M	15	15	49.2	49.2'(15000)	±4"(±100)
FCLCLC10M	10	10	32.8	32.8'(10000)	±4"(±100)
FCLCLC07M	07	7	22.97	22.97'(7000)	±2"(±50)
FCLCLC05M	05	5	16.4	16.4'(5000)	±2"(±50)
FCLCLC03M	03	3	9.84	9.84'(3000)	±2"(±50)
FCLCLC02M	02	2	6.56	6.56'(2000)	±2"(±50)
FCLCLC01M	01	1	3.28	3.28'(1000)	±2"(±50)
PART NO.	**	x	##	L	T

ROUND CABLE METHOD SEE "DETAIL A"			
	BAG TYPE	QTY	LABEL
SMALL	POLYBAG (DETAIL C)	1 CABLE & TEST REPORT	NONE
MEDIUM	POLYBAG	10 CABLES (1M~10M)	SEE "DETAIL B"
LARGE	POLYBAG	ALL	NONE
EACH LARGE POLYBAG IN AN OUTER CARTON			

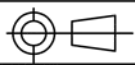


DETAIL C



DETAIL A

DETAIL B

CUSTOMER APPROVAL:			DATE:		
	UNIT: Inches[mm]	TITLE: FIBER OPTIC CABLE DUPLEX MULTIMODE 62.5/125, LC TO LC ORANGE PVC JACKET, x METERS.			
DRAWN BY Liang	DATE 2011/10/20	CUSTOMER WECL		CUSTOMER PART NO. FCLCLC**M	
CHECKED BY	DATE	DRAWING NO. PP1110007	Ref. NO.	REV. A	
APPROVED BY	DATE	TRENDEX PART NO.			
SALE BY	DATE				